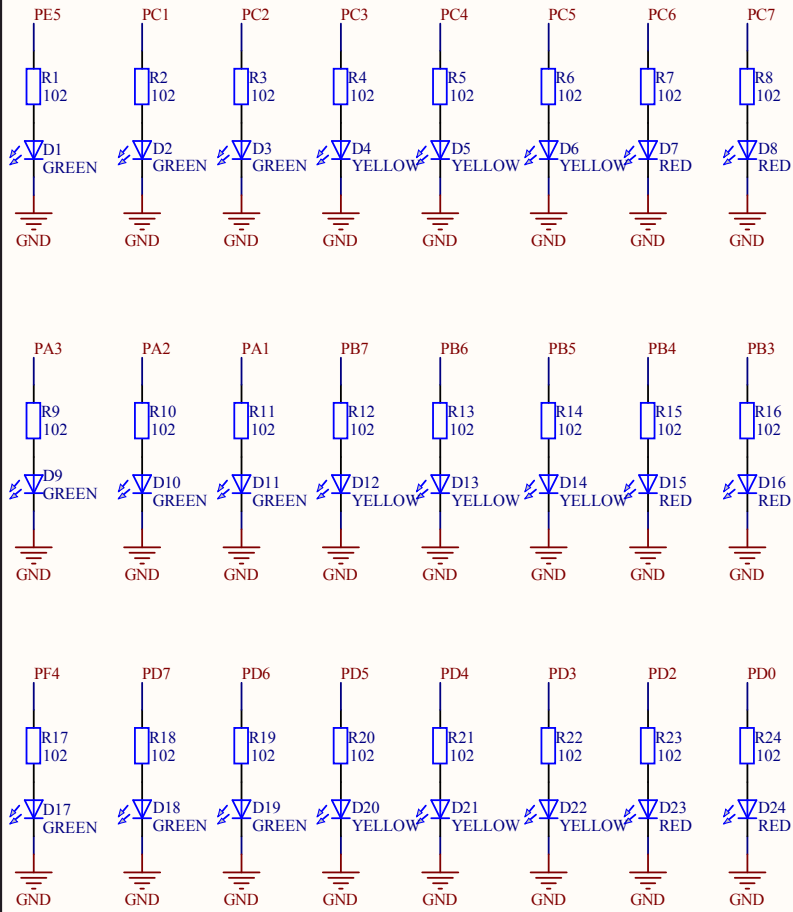
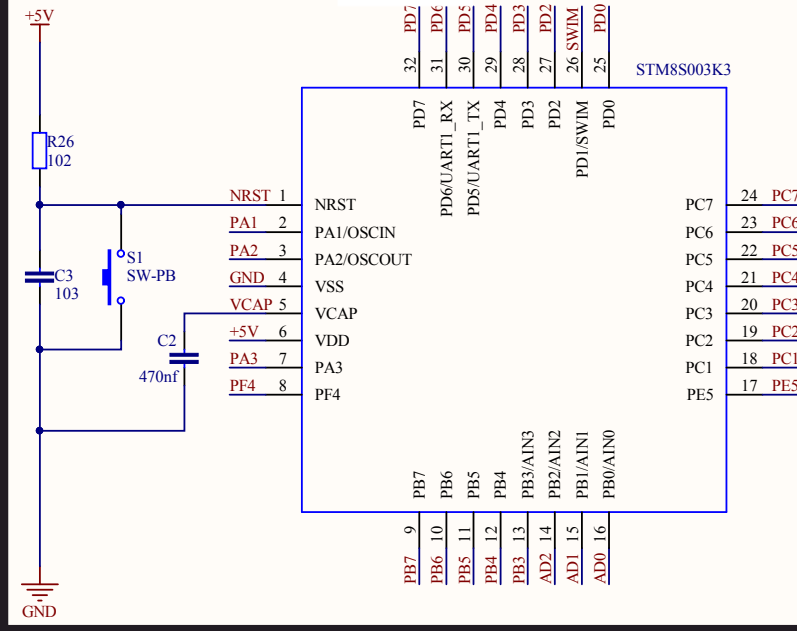


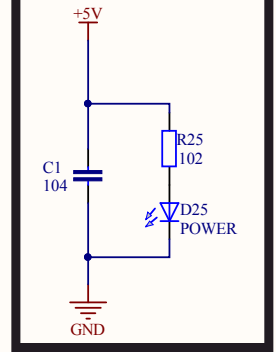
# AD INDICATOR LIGHT



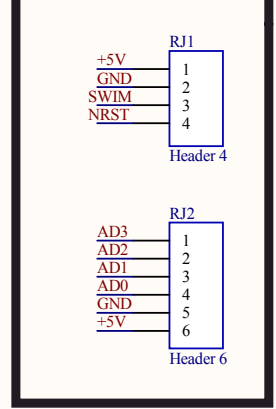
# M C U



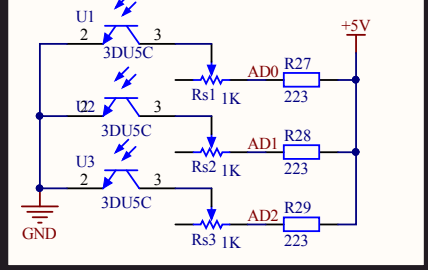
# POWER DISPLAY



# I/O



# AD COLLECTION



Title			COM_SunFounder_Light_Follower_Module		
Size	Number	Revision			Cannot open file
A4	R0105V10	D:\办公公司			
Date:	6/30/2016	Sheet of			
File:	G:\模块资料\COM_SunFounder_Light_Follower_Module\REV1.0.SchDoc				